



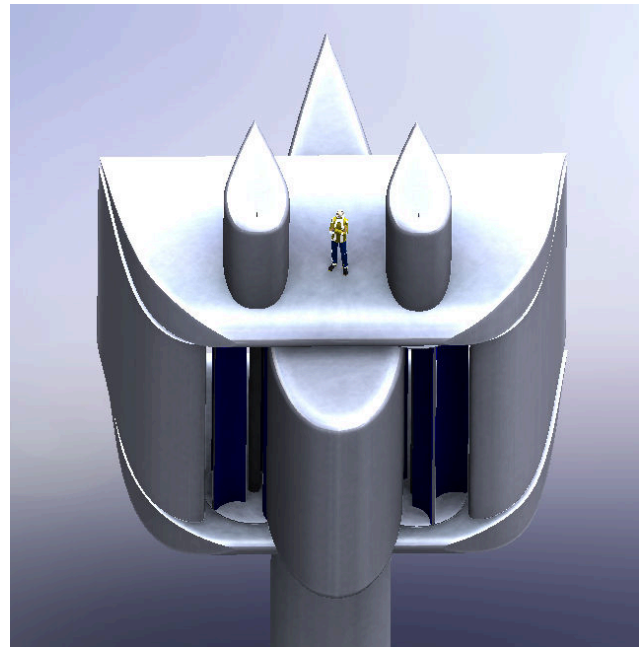
ENVIRONEERS®

ENERGY GMBH

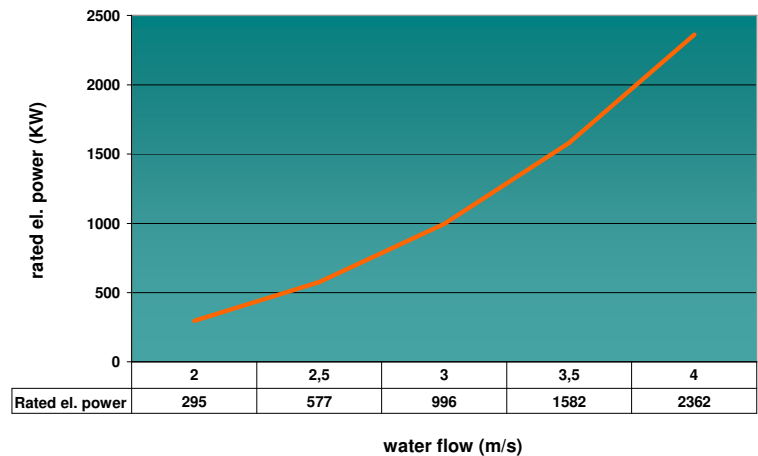


A NEW DIMENSION IN HYDROPOWER

Flow Converter FC2500



FLOW CONVERTER FC 2500
rated el. power (KW)





ENVIRONEERS®

ENERGY GMBH

ENVIRONEERS Energy GmbH * Alfred-Delp-Str. 4 * 88094 Oberteuringen * Germany

Seite: 2

Flow Converter FC2500

2x Turbine
Diameter 2,5m
Height 6m

Pos. 1

FC 2500-6000-12000

Water flow 2 m/s

Min. Water height = 20m

H = 12,00 m

B = 12,00 m

L = 15,00 m

Rated Power: 295 kW

Pos. 2

FC 2500-6000-12000

Water flow 2,5 m/s

Min. Water height = 20m

H = 12,00 m

B = 12,00 m

L = 15,00 m

Rated Power: 577 kW

Pos. 3

FC 2500-6000-12000

Water flow 3 m/s

Min. Water height = 20m

H = 12,00 m

B = 12,00 m

L = 15,00 m

Rated Power: 996 kW

Pos. 4

FC 2500-6000-12000

Water flow 4 m/s

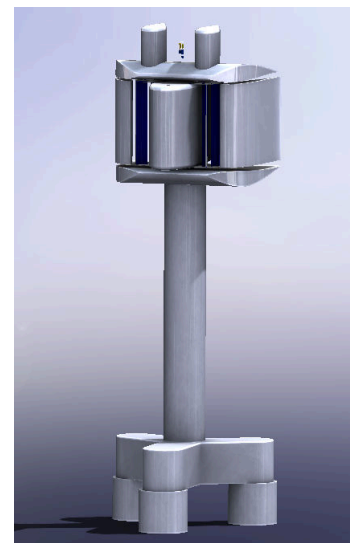
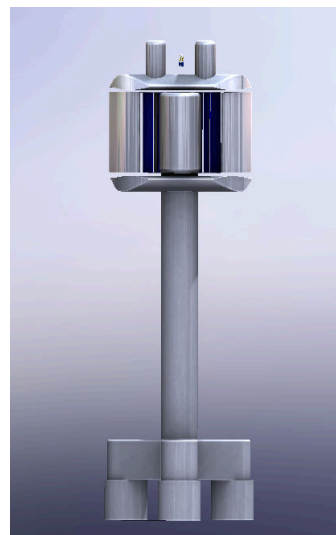
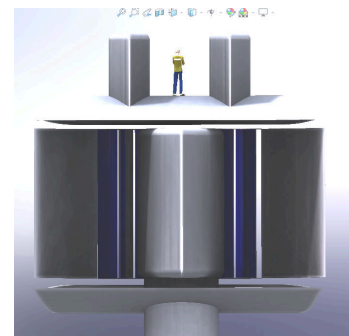
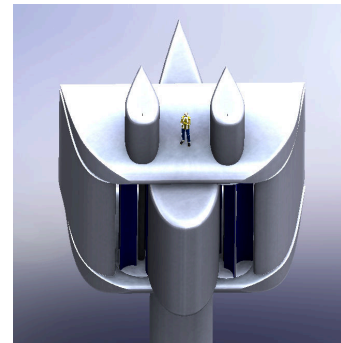
Min. Water height = 20m

H = 12,00 m

B = 12,00 m

L = 15,00 m

Rated Power: 2362 kW



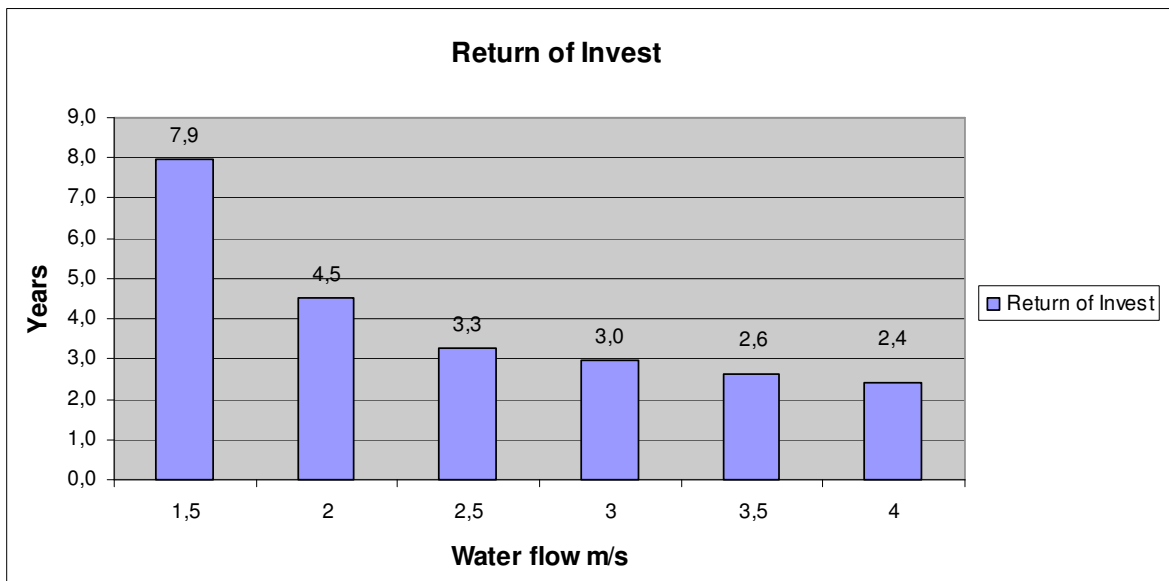
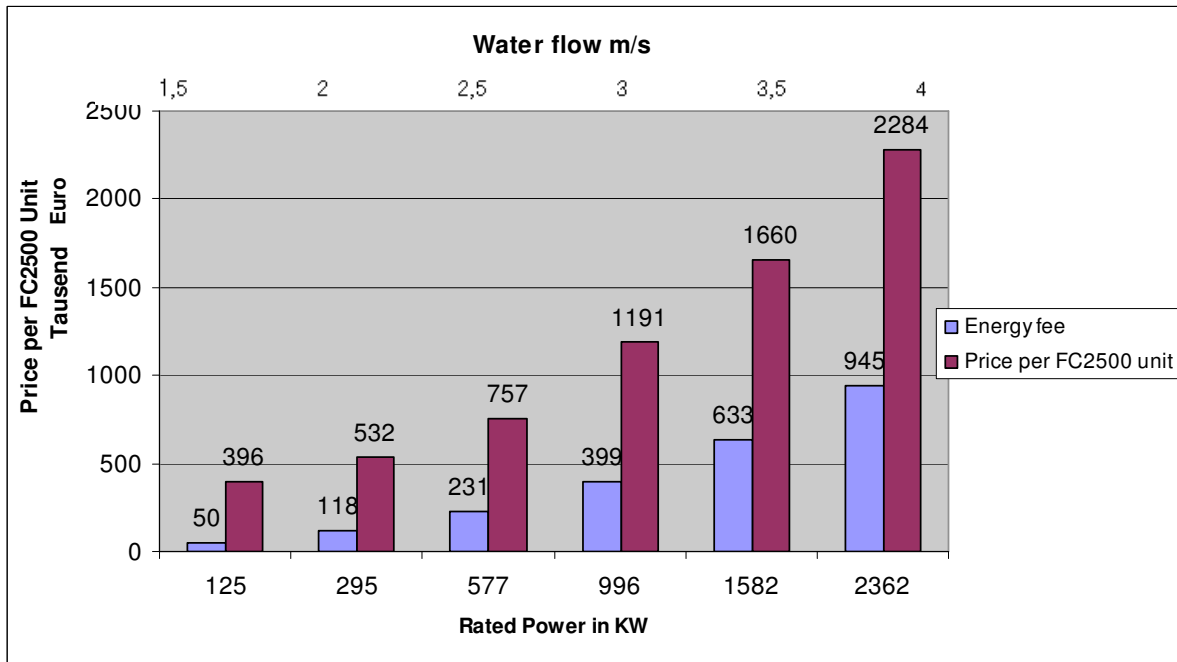


ENVIRONEERS®

ENERGY GMBH

Flow Converter FC2500

Price per FC2500 / Rated Power / Water flow





ENVIRONEERS®

ENERGY GMBH

Flow Converter FC2500

